

BARIATRIC TRAPEZE BARITRAP750



BARITRAP 750 FREESTANDING TRAPEZE

The BARITRAP 750 bariatric free standing trapeze is a floor mounted device that allows patients to reposition themselves in bed.



TECHNICAL SPECIFICATIONS

Total Height	69.5 "
Total Width	32.5"
Total Depth	58"
Width Between Legs	28.5"
Boom Length	40"
Product Weight	97 lb.
Shipping Weight	110 lbs.
Weight Capacity	750 lbs.

BARIATRIC TRAPEZE

BARITRAP750



DEVICE DESCRIPTION AND PARTS

TRAPEZE PACKAGE CONTENTS:

- (2) Main Frame Legs
- (1) Mid-Section
- (1) Boom
- (1) Bar and Handle
- (12) ½” Bolts and Washers
- (4) 6” Bolts, Washers and Lock Nuts (4) End Caps to go over Lock Nuts

REQUIRED TOOLS FOR ASSEMBLY:

- 7/32 Hex Key
- 9/16 Wrench

Prior to installation, verify that all package contents have been received in good condition. If components are damaged or missing, contact us immediately.
DO NOT use substitute parts or assemble the while missing parts.

As you read through this be aware of the four signal terms below:



DANGER

Information that appears under the DANGER description concerns the protection of personnel from direct and pending hazards that, if not avoided, will result in immediate, serious personal injury or death in addition to damage of the equipment.

WARNING

Information that appears under the WARNING description concerns the protection of personnel from possible hazards that can result in injury or death in addition to damage of the equipment

CAUTION

Information that appears under the CAUTION description concerns the protection of personnel from possible hazards that may result in minor injury or damage of the equipment

NOTE

Information that appears under the NOTE description gives added information, which helps in understanding the item being described.

CLEANING

The trapeze frame should be cleaned periodically using a mild detergent and water. Be sure to completely dry the trapeze frame before use. When washing the trapeze straps, use only mild detergent and water. **DO NOT USE BLEACH.** Allow straps to completely air-dry before use. Do not place straps in dryer.

On a quarterly basis, all hardware on the trapeze should be checked and tightened, the frame should be inspected to check for wear or damage, and the strap should be inspected for wear or damage.

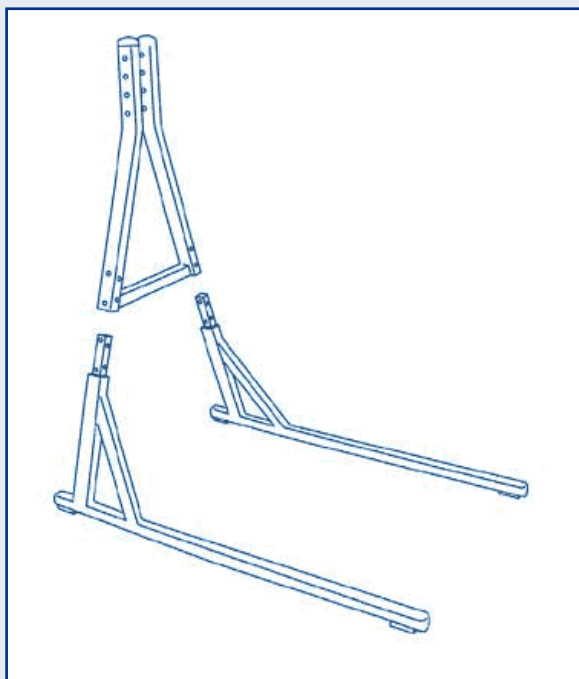
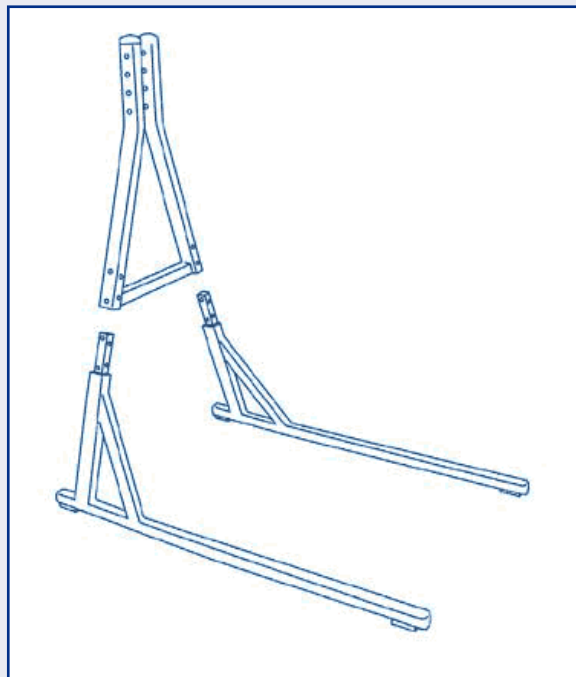
BARIATRIC TRAPEZE BARITRAP750



ASSEMBLY & DIRECTIONS FOR USE

STEP 1

Clear a work space and remove all contents from shipping box. You can use the top of the box to place unwrapped items in.



STEP 2

Place trapeze legs on the floor. Make sure foot pads are on the floor. Next, attach the mid-section on the posts coming up from the trapeze legs.

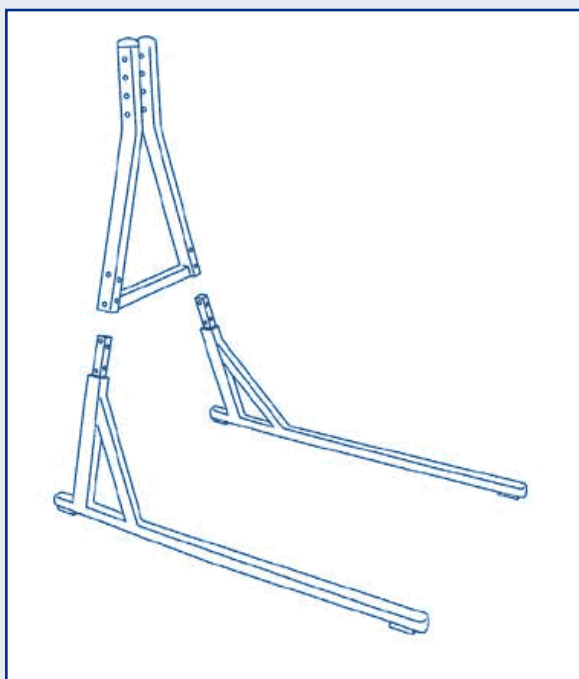
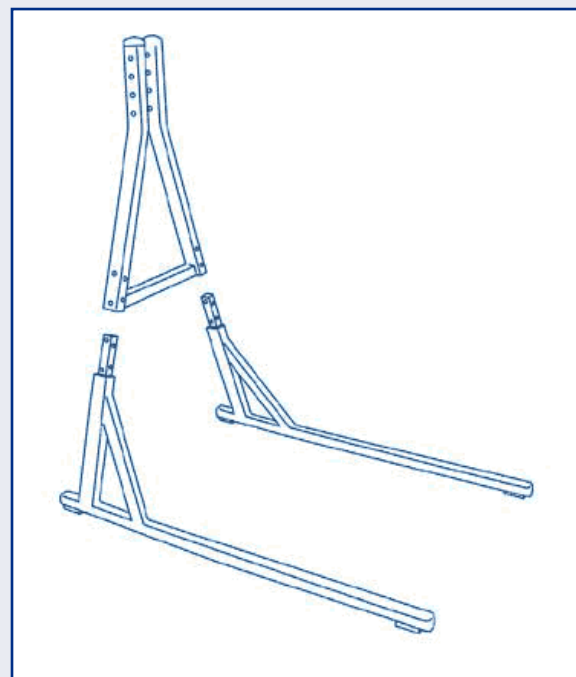
BARIATRIC TRAPEZE BARITRAP750



ASSEMBLY & DIRECTIONS FOR USE

STEP 3

Use the (12) ½" hex bolts and washers to attach the mid-section to the trapeze legs.



STEP 4

Use the (4) 6" hex bolts, washers and lock nuts to attach the trapeze boom to the mid-section.

BARIATRIC TRAPEZE

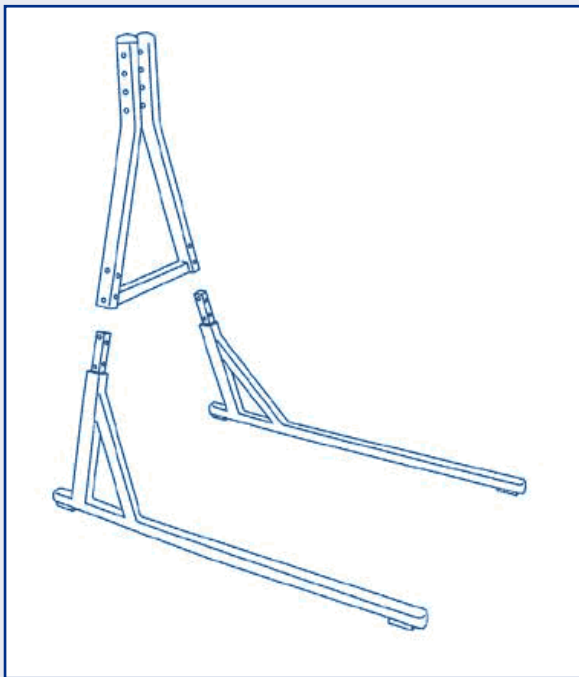
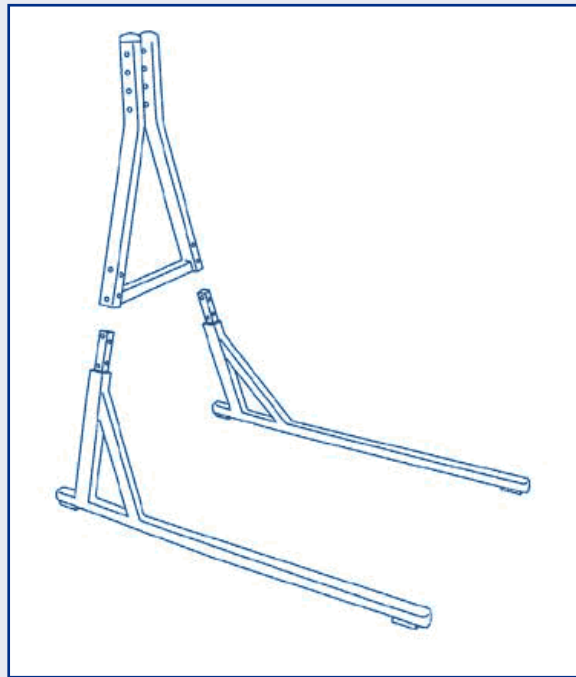
BARITRAP750



ASSEMBLY & DIRECTIONS FOR USE

STEP 5

Check to ensure that all bolts are tightened and secure. Not doing so may result in injury to the patient/resident or staff.



STEP 6

Attach the trapeze handle to an appropriate spot for the resident.

YOU HAVE NOW COMPLETED THE ASSEMBLY OF YOUR MEDICAL BARIATRIC FREE-STANDING TRAPEZE. Be sure to double-check all bolts and part placements on the trapeze. Also, be sure to remove all packaging materials from the area before allowing residents into the area.

Prior to use, be sure to read and refer to the full Owner's Manual for additional warnings. ALWAYS test this device prior to each use.